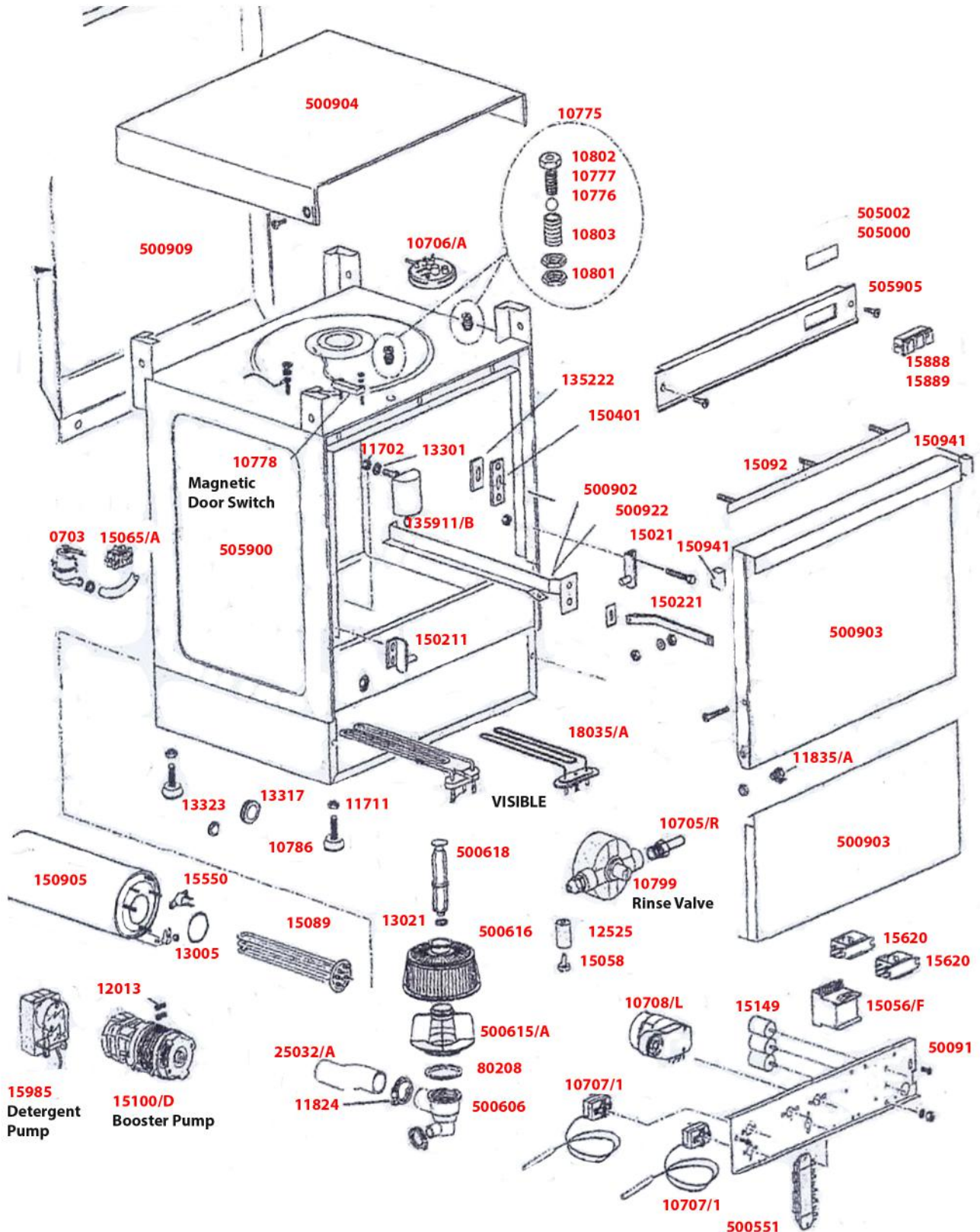
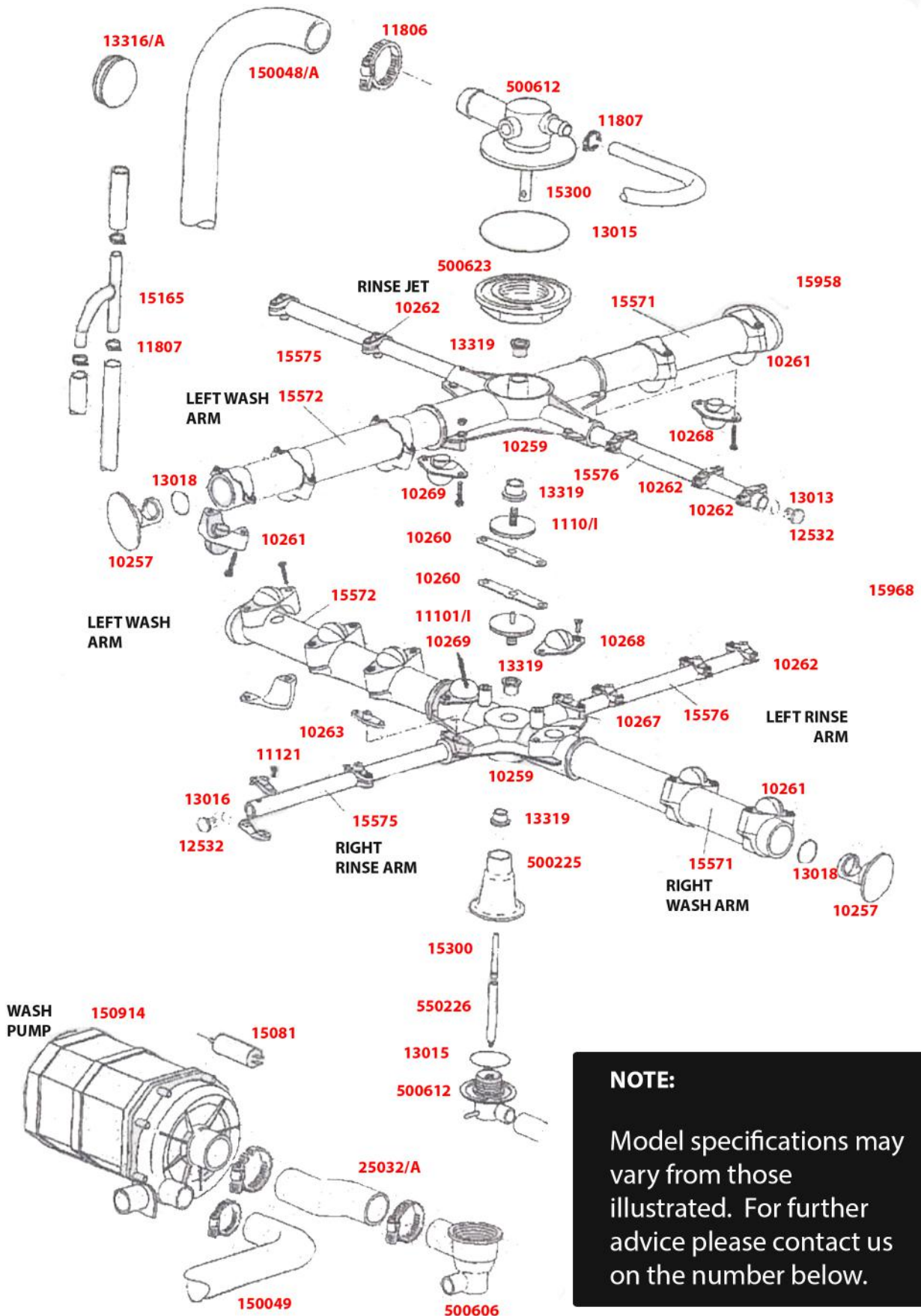


PL50 Exploded View



PL50 Exploded View



NOTE:
Model specifications may vary from those illustrated. For further advice please contact us on the number below.